

# ENGINEER TO ORDER

SPECIAL PROJECT INFORMATION SHEET



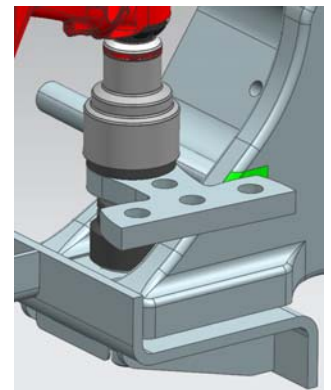
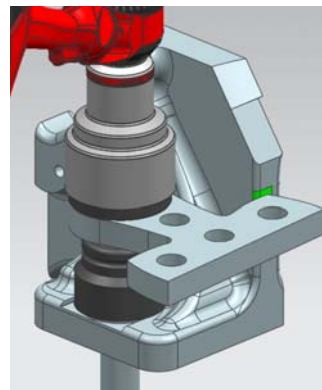
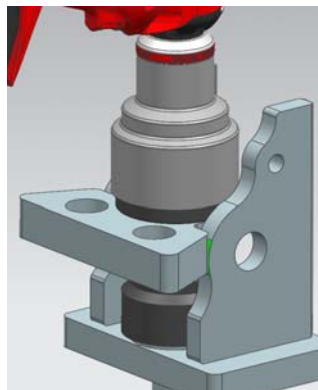
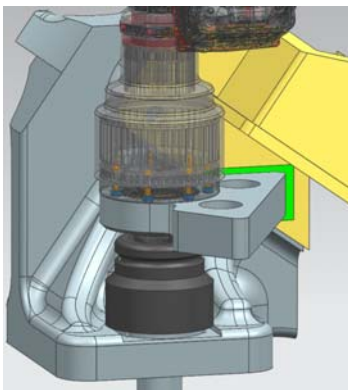
Project Description	ET2-119-6000 kit with special reactions, sockets & lifting bracket		
Date created	September 2019	Project Number	Q4699

## INTRODUCTION & APPLICATION

Mining industry rock crushing machinery builder requires torque equipment for 65mm A/F hexagon head bolts, to 3,820 N.m, with several applications.

## SOLUTION

EvoTorque2 119-6000 tool fitted with a special lifting bracket, one special socket, and two interchangeable reactions.



## TECHNICAL SPECIFICATION / DATA HIGHLIGHTS

One special socket and two interchangeable reaction types are shared across various applications, and are configured for bolt tightening and untightening use. Application examples are shown above.